



# ***CD-RW DX-ECDRW100*** **USB 2.0 External Drive**

**User's Manual**

**DYNEX Customer Support TEL: 1-(800)305-2204**

**<http://www.dynexproducts.com>**

**CLASS 1 LASER PRODUCT  
APPAREIL A LASER DE CLASSE 1  
LASER KLASSE 1  
LUOKAN 1 LASERLAITE  
PRODUIT LASER  
CATEGORIE 1**

**DANGER** INVISIBLE LASER RADIATION WHEN OPEN AVOID DIRECT EXPOSURE TO BEAM  
**VORSICHT** INSICHTBARE LASERSTRAHLUNG WENN ABDECKUNG GEÖFFNET NICHT DEM STRAHL AUSSETZEN  
**ATTENTION** RADIATION DU FAISCEAU LASER INVISIBLE EN CAS D'OUVERTURE. EVITER TOUTE EXPOSITION  
AUX RAYONS.

### **Copyright Statement**

It is a criminal offence, under applicable copyright laws, to make unauthorised copies of copyright-protected material, including computer programs, films, broadcasts and sound recordings. This equipment should not be used for such purposes.

## **FCC Compliance Statement**

This device complies with Part 15 of the FCC Rules. Operation is subject to the following two conditions:

1. this device may not cause harmful interference, and
2. this device must accept any interference received, including interference that may cause undesired operation.

## **FCC Warning Statement**

This equipment has been tested and found to comply with the limits for a Class B digital device, pursuant to Part 15 of the FCC Rules. These limits are designed to provide reasonable protection against harmful interference in a residential installation. This equipment generates, uses and can emit radio frequency energy and, if not installed or used in accordance with the instructions, may cause interference to radio communications. However, television reception interference can be determined by turning the equipment off and on. The user is encouraged to correct the interference by one or more of the following measures:

- Reorient or relocate the receiving antenna
- Increase the separation between the equipment and the receiver
- Connect the equipment into an outlet different from that to which the receiver is connected
- Consult the dealer or an experienced radio/TV technician for help.

## **CAUTION**

Changes or modifications not expressly approved by the party responsible for compliance could void the user's authority to operate the equipment.

## **FOR EUROPE**



“The drive is in conformity with the EMC directive and low-voltage directive.”

# Table of Contents

<b>INTRODUCTION</b>	<b>1</b>
<b>ABOUT USB</b>	<b>1</b>
<b>SYSTEM REQUIREMENTS</b>	<b>2</b>
<b>INSTALLATION</b>	<b>3</b>
<b>HARDWARE INSTALLATION</b>	<b>3</b>
<b>DRIVER INSTALLATION</b>	<b>4</b>
Windows Environment	4
<b>SOFTWARE INSTALLATION</b>	<b>4</b>
Windows Environment	4
<b>CONNECTION &amp; OPERATION</b>	<b>5</b>
<b>FRONT PANEL</b>	<b>5</b>
<b>REAR VIEW</b>	<b>6</b>
<b>TECHNICAL DATA</b>	<b>7</b>
<b>TROUBLESHOOTING</b>	<b>10</b>

## INTRODUCTION

Thank you for the purchase of 5232UI, a high-performance external CD-ReWritable drive of USB 2.0 interface. It supports maximum 52X-speed writing ability on CD-R discs, 32X-speed on CD-RW discs and 52X-speed reading performance. The drive backs up all writing modes and different CD formats and it automatically recognizes the media placed in the drive, whether a CD, a CD-R or a CD-RW. With the bundled CD-RW mastering software, 5232UI is an ideal model for creating customized audio and data CDs, and for archiving or distributing big files to achieve data interchange and backup. Here are some important features of this external CD-ReWritable drive:

- ◆ 8X, 16X, 24X, 32X, 40X, 48X and 52X writing speed on CD-R media
- ◆ 4X, 10X, 12X, 16X, 20X, 24X and 32X writing speed on CD-RW media
- ◆ Adopts Buffer Underrun Prevention technology
- ◆ Supports MultiRead function
- ◆ Supports writing modes of TAO, DAO, SAO and packet writing
- ◆ Large internal buffer: 2MB
- ◆ Low power consumption
- ◆ USB 2.0 interface, easy to connect USB 2.0 port in PC

### About USB

USB (Universal Serial Bus), a means of attaching devices to your computer, is basically a standardized intelligent serial connection which provides an expandable, hot-pluggable\*<sup>1</sup> interface. Devices suitable for USB range from simple items like mice and keyboards to more complicated devices like printers, MP3 players, and storage devices.

One other benefit of USB is plug and play. That is, when you plug the USB device in, it is automatically detected, drivers installed and then ready for operation

USB 2.0 supports data transfer at up to 480Mbps for high-speed devices. It is backward compatible with USB1.1\*<sup>2</sup> software and peripherals. If your computer doesn't have a built-in USB 2.0 port, you need to install a USB 2.0 PCI host card in your pc for the CD-RW drive to run at USB 2.0 speed. Otherwise, this CD-RW drive will run at standard USB speed.

\*<sup>1</sup> You can connect and disconnect devices while the computer is running.

\*<sup>2</sup> USB 1.1 can transfer data at rates up to 12Mb/s.

## **System Requirements**

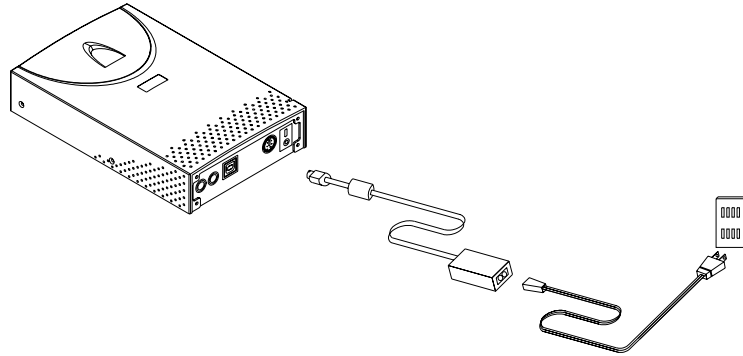
For IBM compatible PCs, the system requirements recommended are as follows:

- ◆ Pentium II 350MHz above with at least 64MB of memory
- ◆ Sufficient hard disk space (minimum 200MB, 1GB or more is recommended.)
- ◆ Operating system: Microsoft Windows 98SE/ME/2000/XP
- ◆ USB 2.0 PCI host card

# INSTALLATION

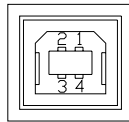
## Hardware Installation

1. Connect the power adapter and the AC power cord to the drive.



2. Attach the USB 2.0 cable to the CD-ReWritable drive.

USB Connector



3. Attach the other end of the USB 2.0 cable to the USB port in your computer. The drive is now ready to use.

☞ *If you are installing a USB 2.0 drive, your computer must have a USB 2.0 port to achieve top speed. You may experience slower USB 2.0 drive performance if connected to USB 1.1.*

4. Connect the audio cable to the drive and your computer.

### Note:

- ◆ Be sure to use the USB 2.0 cable packed with the drive.
- ◆ Never plug or unplug in any other USB device while the CD-RW drive is transferring data. It's likely to loss data.

- ◆ It's advisable not to disconnect the CD-RW drive or unplug the power to the drive while a CD is inserted.
- ◆ Don't connect more than two CD-RW drives of USB connections to a single computer.

## **Driver Installation**

### **Windows Environment**

This USB 2.0 External Drive CD-RW 5232UI is a Plug and Play device, and Windows ME/2000/XP can **automatically detect** the drive and load the appropriate driver. For the users who run **Windows 98SE**, please install the provided driver in the disc and then restart the computer.

## **Software Installation**

The bundled mastering software gives you the complete solution for making audio/data CDs right from your desktop. It allows you to copy files from your computer to a recordable compact disc. In addition, the audio CDs you create can be played in your home or car CD player. For the CD-RW media, you can write and erase data on the CD as you do with a floppy disk.

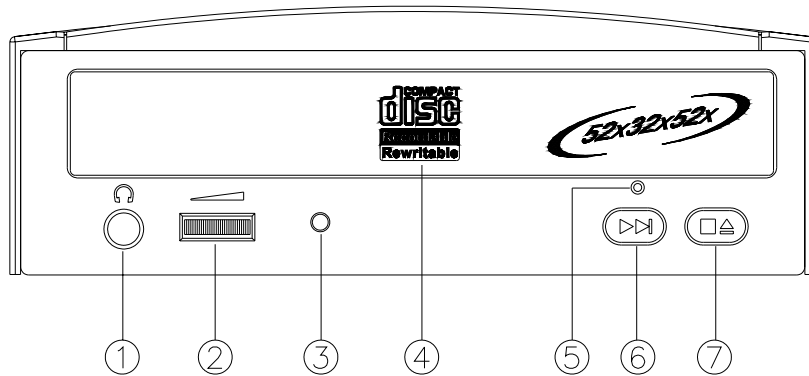
### **Windows Environment**

- (1) Run **install.exe** or **setup.exe**  
or
- (2) Refer to the **manual** in the software disc.



## CONNECTION & OPERATION

### Front Panel



#### 1. Headphone Plug

By plugging in the headphone jack here, you can listen to an audio CD (CD-DA disc) directly playing from the CD-ReWritable drive.

#### 2. Headphone Volume Control

This knob adjusts the audio output level. Turn the wheel to the right to increase the audio volume of your headphone.

#### 3. LED Indicator (dual color)

Flashes "green" while verifying or reading a disc.  
Flashes "amber" while writing a CD-R/CD-RW disc.

#### 4. Disc Tray

This is the tray for the disc. Place the disc in the tray, then press the Close/Eject button or lightly push the tray to close it.

### 5. Emergency Eject Hole

When the Close/Eject button can't work properly and the disc tray can't be opened, you can insert a paper clip or a small rod into this hole for manual ejection. Please make sure to power off the system before you do that.

### 6. Play/Skip button

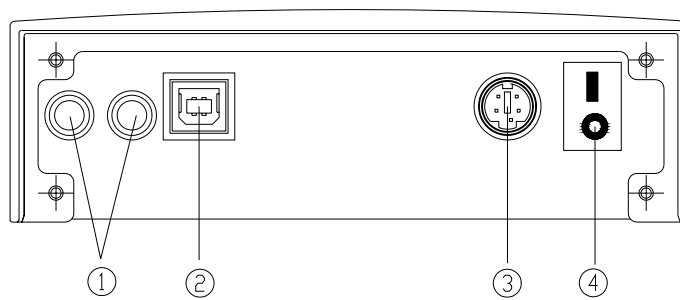
Press this button to play tracks or skip to next track during the playing state.

### 7. Close/Eject button

This button opens and closes the disc tray. If the tray is closed, pressing the button will eject it. If the drive is playing, pressing this button will stop it.

*NOTE: The front panel is subject to change without notice.*

## Rear View



1. Analog Audio Output Connector (RCA Jack)

2. USB Connector

3. D.C. Power Connector

4. Power (On/Off) Switch

## TECHNICAL DATA

### Performance

Transfer rate	<b>Read:</b> CD-ROM/CD-R: 7800kb/s (up to 52X) CD-RW: 4800 kb/s (up to 32X) <b>Write:</b> CD-R: 7800kb/s(up to 52X) CD-RW: 4800kb/s(up to 32X)
Access time	90ms at 1/3 stroke(52X CD-ROM) 180ms at full stroke(52X CD-ROM) 99ms at 1/3 stroke (32X CD-RW) 200ms at full stroke(32X CD-RW)
Data buffer	2MB
CD format support	CD-Audio, CD-EXTRA, CD-ROM, CD-ROM XA, CD-I, Video CD, Photo CD, CD-Text
Writing modes	TAO (Track at once), DAO (Disc at Once), SAO (Session at once), Multi-session, Incremental Packet Writing (fixed and variable packet size)
Writing speed	CD-R: 8X/16X/24X/32X/40X/48X/52X CD-RW: 4X/10X/12X/16X/20X/24X/32X

### Specification

Interface	USB 2.0
-----------	---------

Disc loading	Tray (motorised)
Power Requirement	input: AC 100~240V, 50/60Hz output: 5V 1.5A, 12V 1.5A
RMS output Voltage	0.6 ± 10%Vrms
Dimensions	
Height	44.9~47.6 ± 0.3 mm
Width	152.5 ± 0.3 mm
Depth	234.5 ± 0.3 mm
Weight	2 kg

### **Disc Specification**

#### Capacity

120mm disc:	63min	553Mbytes	Mode-1
	74min	650MBytes	Mode-1
	80min	700MBytes	Mode-1
80mm disc:	18min	158Mbytes	Mode-1
	21min	184MBytes	Mode-1

Disc Type	CD-Recordable media (Orange Book Part II), CD-ReWritable media (Orange Book Part III)
-----------	---

### **Environment**

Temperature	
Operating	5°C to 45°C
Non-operating	-20°C to 60°C

Humidity

Operating

8% ~ 80%RH

Non-operating

5% ~ 95%RH

## **TROUBLESHOOTING**

To help you get more familiar with this USB 2.0 external drive, CD-RW 5232UI, the following FAQ lists some common problems you might have. Please read it for reference before you request RMA support from your dealer.

### **Q1. 5232UI cannot be recognized.**

- (1) The drive might not have been connected properly. Please check whether the USB cable and power connector are tightly connected. If yes, do the hot-plugging again.
- (2) Check if the driver of PCI host card connected in the pc has been installed.
- (3) If your pc has a built-in USB 2.0 port, install the driver, check the BIOS setting or consult the motherboard manufacturer.

### **Q2. 5232UI doesn't have power.**

Please check if the power cable is connected securely.

### **Q3. The CD-RW drive cannot read some general discs.**

Please check if the disc has deep scratches, fingerprints, or other contaminants on the surface. Clean the disc if it's necessary.

### **Q4. There is noise while reading.**

If the disc used is eccentric or there are labels stuck on the disc surface, it will cause noise.

### **Q5. The drive can't read former session(s) of the CD-R disc, which has been written twice or more times.**

Before writing CD-R discs with data copy, remember to choose "Import session" so as to read the former sessions.

**Q6. The external speaker doesn't have sound when playing music CD.**

- (1) Please check if the audio cable is connected to the audio connector properly.
- (2) Check both rear side of the CD-RW drive and sound card on M/B (If Audio chipset is on board). If they are well connected, check if the sound card is working.

**Q7. The tray cannot be ejected.**

There are two possible reasons:

- (1) Need to be ejected by the application.  
Some of the burning or playing application will lock the drive. You have to eject by application and close it so as to restore the use of panel buttons.
- (2) The CD is inserted incorrectly.  
Please insert a paper clip or small rod into the emergency hole on the front panel for manual ejection.

**Q8. 5232UI cannot write.**

We suggest as follows:

- (1) Use the burning software, which is provided by original supplier and bundled with this CD-ReWritable drive or download the updated file from Internet.
- (2) More capacity of hard disk is needed if using hard disk as temporary buffer.
- (3) Place the disc correctly.
- (4) The blank disc needs full format first if using packet-writing software.

**Q9. "Buffer underrun" always occurs while writing discs.**

Here are some suggestions:

- (1) Close the screen saver & TSR (Terminate and Stay Resident).
- (2) Quit other redundant application when burning.

- (3) Select good quality and high-speed supported blank discs.
- (4) Increase main memory capacity.
- (5) Select other burning software.
- (6) De-fragment the hard disk.
- (7) Keep the source & destination discs clean. (no scratches, fingerprints or contamination.)
- (8) Copy data as image file to hard drive to avoid buffer underrun.
- (9) Keep the system clean. Do not install redundant driver or application to reduce system loading as well as confliction.
- (10) Enable Buffer Underrun Protection mode if your software supports it.

**Q10. Does this external CD-RW drive support over-burning?**

Yes, but please use burning software which supports this function.

**Q11. What burning software supports 5232UI?**

Software such as Adaptec EasyCD Creator, Ahead Nero-Burning ROM, NTI CDMaker, etc.

**Q12. Does 5232UI support CD-Text & SAO (Session At Once) function?**

Yes, it does support CD-Text & SAO function and you may edit the title or content into your music CD.





***CD-RW DX-ECDRW100***  
**USB 2.0 Lecteur Externe**

**Manuel de l'Utilisateur**

**CLASS 1 LASER PRODUCT**  
**APPAREIL A LASER DE CLASSE 1**  
**LASER KLASSE 1**  
**LUOKAN 1 LASERLAITE**  
**PRODUIT LASER**  
**CATEGORIE 1**

**DANGER** INVISIBLE LASER RADIATION WHEN OPEN AVOID DIRECT EXPOSURE TO BEAM  
**VORSICHT** INSICHTBARE LASERSTRAHLUNG WENN ABDECKUNG GEÖFFNET NICHT DEM STRAHL AUSSETZEN  
**ATTENTION** RADIATION DU FAISCEAU LASER INVISIBLE EN CAS D'OUVERTURE. EVITER TOUTE EXPOSITION AUX RAYONS.

### **Déclaration du Copyright**

Sous la protection des lois sur le droit de propriété, toute copie non-autorisée du matériel protégé est interdite, y compris, les programmes informatiques, les films, les diffusions et les enregistrements sonores. Cet équipement ne doit pas être utilisé à de telles fins.

## **Déclaration de Conformité FCC**

Cet appareil est conforme aux directives de l'Article 15 des Réglementations de la FCC. Son opération est sujette aux deux conditions suivantes:

1. Cet appareil ne doit pas provoquer d'interférence néfaste et
2. Cet appareil doit accepter toute interférence reçue, y compris les interférences provoquant une opération indésirable.

## **FCC Warning Statement**

Note: Cet équipement a été testé et vérifié être conforme aux limites pour un périphérique numérique de catégorie B, selon l'Article 15 des réglementations de la FCC. Ces limites sont conçues pour fournir une protection raisonnable contre toute interférence néfaste dans une installation résidentielle. Cet équipement génère, utilise et peut émettre une énergie de fréquence radio et, s'il n'est pas installé et utilisé selon les instructions, peut provoquer une interférence néfaste pour les communications radio. Cependant, aucune garantie n'est faite de ce qu'une telle interférence ne se produira pas dans une installation particulière. Si cet équipement provoque une interférence néfaste pour les réceptions radio et TV, veuillez essayer de la corriger avec une des mesures suivantes:

- Réorientez ou relocalisez l'antenne réceptrice.
- Augmentez la séparation entre l'équipement et le récepteur.
- Connectez l'équipement sur une prise d'un circuit différent de celui sur lequel le récepteur est branché.
- Consultez votre vendeur ou un technicien spécialisé radio/TV pour toute aide supplémentaire.

## **PRECAUTION**

Tout changement ou toute modification non autorisée expressément par la partie responsable pour l'appareil annule le droit d'opération de l'utilisateur sur cet équipement.

## **POUR L'EUROPE**



“Ce lecteur est conforme aux directives EMC et à celles de faible voltage.”

# Table des Matières

<b><u>INTRODUCTION</u></b>	<b>1</b>
<b>A PROPOS DU PROTOCOLE USB</b>	2
<b>CONFIGURATION MINIMALE</b>	2
<b><u>INSTALLATION</u></b>	<b>3</b>
<b>INSTALLATION DU MATÉRIEL</b>	3
<b>INSTALLATION DU DRIVER</b>	4
Envrionnement Windows	4
<b>INSTALLATION DU LOGICIEL</b>	4
Sous Windows	4
<b><u>DESCRIPTION DES CONTRÔLES ET CONNEXIONS</u></b>	<b>5</b>
<b>PANNEAU FRONTAL</b>	5
<b>VUE ARRIÈRE</b>	6
<b><u>DONNEES TECHNIQUES</u></b>	<b>7</b>
<b><u>DEPANNAGE</u></b>	<b>10</b>

## INTRODUCTION

Merci d'avoir acheté le 5232UI, un graveur externe de CDs réinscriptibles à haute performance fonctionnant par l'interface USB 2.0. Il supporte une vitesse d'écriture maximum 52x pour les disques CD-R, 32x pour les disques CD-RW, et une performance de lecture de 52x. Le lecteur fait une sauvegarde de tous les modes d'écriture et des formats de CD différents, puis reconnaîtra automatiquement le média placé dans le lecteur, que cela soit un CD, un CD-R ou un CD-RW. Avec le logiciel de contrôle CD-RW offert, le CD-WRITER 5232UI est le modèle idéal pour créer une audio personnalisée et des CD de données, aussi bien que pour classer ou distribuer de larges fichiers dans le but d'échanger des données ou de faire une sauvegarde.

Voici quelques caractéristiques importantes de ce graveur externe de CDs réinscriptibles :

- ◆ Vitesses d'écriture 8X, 16X, 24X, 32X, 40X, 48X et 52X sur CD-R média
- ◆ Vitesses de (ré)inscription 4X, 10X, 12X, 16X, 20X 24X, et 32X sur CD-RW média
- ◆ Technologie de prévention *Buffer Underrun*
- ◆ Supporte la fonction MultiRead
- ◆ Supporte les modes d'écriture de TAO, DAO, SAO et écriture en paquet
- ◆ Large tampon interne: 2MB
- ◆ Interface USB 2.0, connexion facile à votre PC par un port USB 2.0

## A Propos du protocole USB

Le protocole USB (Universal Serial Bus = Bus Série Universel), un moyen de connecter des périphériques à votre ordinateur, est simplement une connexion série intelligente normalisée qui est une interface extensible et branchable à chaud\*<sup>1</sup>. Les périphériques USB vont des éléments simples comme claviers et souris à des périphériques plus complexes tels que lecteurs MP3, imprimantes, et périphériques de stockage. Un autre avantage de l'USB est qu'il est prêt-à-tourner. C'est à dire que lorsque vous connectez un périphérique USB, il est détecté automatiquement, les pilotes sont installés, et le périphérique est alors prêt à être utilisé.

Le protocole USB 2.0 supporte des transferts de données jusqu'à 480Mbps pour les périphériques à grande vitesse. Il est compatible avec les périphériques et logiciels USB1.1\*<sup>2</sup>. Si votre ordinateur n'est pas équipé d'un port USB 2.0, il vous faudra installer une carte hôte USB 2.0 PCI dans votre pc pour que votre graveur puisse fonctionner à la vitesse que lui permet le protocole USB 2.0. Sinon, le graveur fonctionnera à la vitesse normale du protocole USB.

\*<sup>1</sup> Vous pouvez connecter ou déconnecter les périphériques sans éteindre l'ordinateur.

\*<sup>2</sup> USB 1.1 peut transférer des données jusqu'à 12Mb/s.

## Configuration Minimale

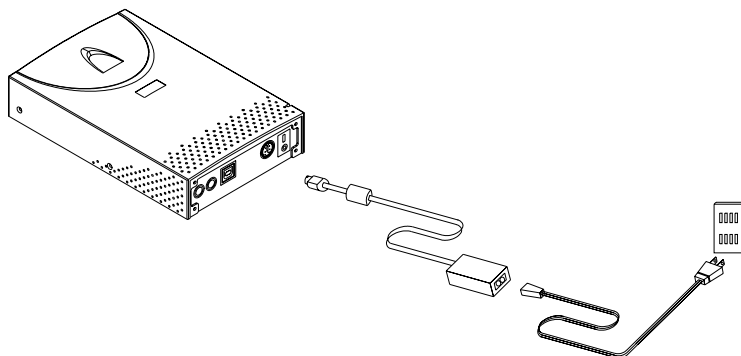
Pour les PCs compatibles IBM, la configuration minimale recommandée est la suivante :

- ◆ Pentium II 350MHz ou au-delà, avec un minimum de 64Mo de mémoire vive
- ◆ Suffisamment d'espace sur votre disque dur (minimum 200Mo, 1Go ou plus est recommandé.)
- ◆ Système d'exploitation : Microsoft Windows 98SE/ME/2000/XP
- ◆ carte hôte USB 2.0 PCI

## INSTALLATION

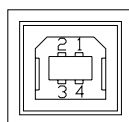
### Installation du Matériel

1. Branchez l'adaptateur secteur et le cordon d'alimentation au graveur.



2. Branchez le cordon USB 2.0 au graveur de CDs réinscriptibles.

Connecteur USB



3. Branchez l'autre extrémité du cordon USB 2.0 au port USB de votre ordinateur. Le lecteur est maintenant prêt à être utilisé.

☞ *Si vous installez un graveur USB 2.0, votre ordinateur doit être équipé d'un port USB 2.0 afin de pouvoir utiliser la vitesse maximum. Vous obtiendrez de moins bonnes performances de votre graveur USB 2.0 si vous le connectez à un port USB 1.1.*

4. Branchez le cordon audio au graveur et votre ordinateur.

#### **Note:**

- ◆ Assurez-vous de bien utiliser le cordon USB 2.0 livré avec le graveur.

- ◆ Ne branchez ou débranchez jamais d'autres périphériques USB lors d'un transfert de données vers le graveur. Vous pourriez perdre des données.
- ◆ Il est recommandé de ne pas déconnecter le graveur ou débrancher l'alimentation lorsqu'un CD se trouve dans l'appareil.
- ◆ Ne connectez pas plus de deux graveurs de CD USB à un même ordinateur.

## **Installation du Driver**

### **Environnement Windows**

Ce USB 2.0 Lecteur Externe CD-RW 5232UI est un périphérique PnP, Windows ME/2000/XP peut ainsi **détecter automatiquement** le lecteur sans installation du driver. Pour les utilisateurs de Windows 98SE, veuillez installer le pilote fourni sur le disque et redémarrer l'ordinateur.

## **Installation du Logiciel**

Le logiciel de contrôle offert vous donne une solution complète pour concevoir des CD d'audio/données directement depuis votre bureau. Il vous permet de copier des fichiers depuis votre ordinateur vers un disque compacte enregistrable. En plus, les CD audio que vous créez peuvent être lus depuis un lecteur de CD en voiture ou à la maison. Pour les média CD-RW, vous pouvez écrire et effacer des données sur le CD, comme vous le feriez pour une disquette.

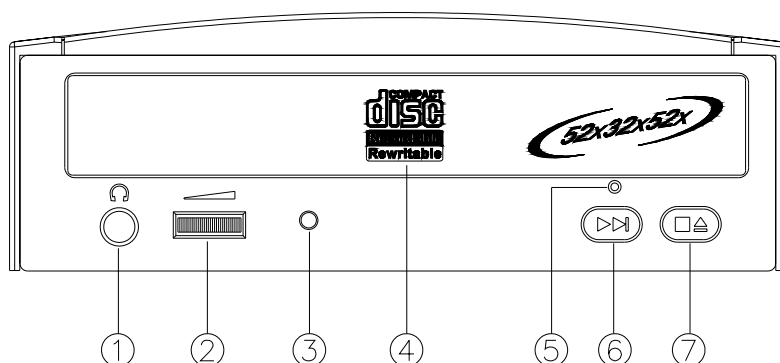
### **Sous Windows**

- (1) Activez **install.exe** ou **setup.exe**  
ou
- (2) Veuillez vous référer au **mode d'emploi** dans le disque de logiciel.



## DESCRIPTION DES CONTRÔLES ET CONNEXIONS

### Panneau Frontal



#### 1. Fiche des Ecouteurs

En branchant la fiche des écouteurs ici, vous pouvez écouter un CD Audio ( disques CD-DA) directement depuis le lecteur de CD-Réinscriptible.

#### 2. Contrôle du Volumes des Ecouteurs

Ce bouton ajuste le niveau de sortie audio. Tornez le bouton vers la droite pour augmenter le volume audio de vos écouteurs.

#### 3. Voyant indicateur ( double couleur )

Clignote en "vert" durant la vérification ou la lecture d'un disque.  
Clignote en "ambre" durant l'écriture d'un CD-R/CD-RW.

#### 4. Piste de Disque

Il s'agit de la piste pour le disque. Placez le disque dessus et pressez le bouton Ejecter/Fermer ou poussez légèrement sur la piste pour la fermer.

### 5. Trou d'Ejection en Urgence

Lorsque le bouton Ejecter/Fermer ne fonctionne pas correctement, vous pouvez insérer un clip en papier ou toute autre tige dans ce trou pour effectuer l'éjection manuelle. Veuillez vous assurer de bien éteindre le système avant d'effectuer une telle manoeuvre.

### 6. Bouton Lire/Sauter

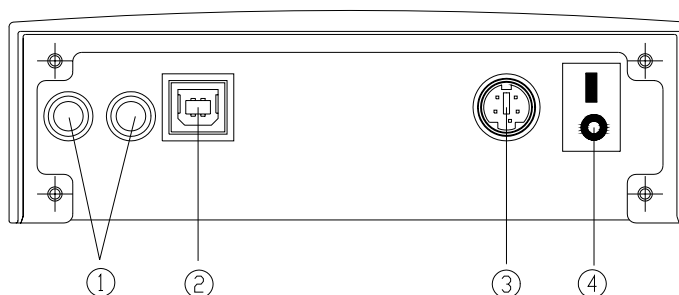
Pressez ce bouton pour lire des pistes ou passer à la piste suivante Durant une lecture.

### 7. Bouton Fermer/Ejecter

Ce bouton permet d'ouvrir et fermer la piste de disque. Si la piste est fermée, pressez ce bouton pour la fermer. Si le lecteur est en cours de lecture, pressez ce bouton pour l'arrêter.

*NOTE: Le panneau avant est sujet à tout changement sans préavis.*

## Vue Arrière



1. Connecteur de Sortie Audio Analogique (Jack RCA)
2. Connecteur USB
3. Connecteur d'Alimentation D.C.
4. Interrupteur Marche/Arrêt

## DONNEES TECHNIQUES

### Performances

Taux de Transfer	<b>lire:</b> CD-ROM/CD-R 7800kb/s (jusqu'à 52X) CD-RW 4800 kb/s (jusqu'à 32X) <b>écrire:</b> CD-R 7800kb/s (jusqu'à 52X) CD-RW 4800kb/s (jusqu'à 32X)
Temps d'accès	90ms- 1/3 touche (52X CD-ROM) 180ms- touche entière (52X CD-ROM) 99ms - 1/3 touche (32X CD-RW) 200ms- touche entière (32X CD-RW)
Buffer d'informations	2MB
Formats de CD supportés	CD-Audio, CD-EXTRA, CD-ROM, CD-ROM XA, CD-I, CD-Vidéo, Photo CD, CD-Text
Méthodes d'écriture	TAO (Une piste à la fois), DAO (un disque à la fois), SAO (un session à la fois) , Multi-session, Ecriture par Paquet Incrémentiel (taille de paquet fixe ou évolutif)
Vitesse d'écriture	CD-R: 8X/16X/24X/32X/40X/48X/52X CD-RW: 4X/10X/12X/16X/20X/24X/32X

### Spécifications

Interface	USB 2.0
Chargement de disque	Piste (motorisée)
Alimentation Requise	entrée : C.A. 100~240V, 50/60Hz sortie : 5V 1.5A, 12V 1.5A
Tension efficace de sortie	0.6 ± 10%Vrms

### Dimensions

Hauteur	44.9~47.6 ± 0.3 mm
Largeur	152.5 ± 0.3 mm
Profondeur	234.5 ± 0.3 mm
Poids	2 kg

### Spécifications du Disque

#### Capacité

Disque 120mm:	63min	553Mbytes	Mode-1
	74min	650MBytes	Mode-1
	80min	700MBytes	Mode-1
Disque 80mm:	18min	158Mbytes	Mode-1
	21min	184MBytes	Mode-1

Type de disque	CD-Enregistrable (Partie II livret orange ), CD-Réinscriptible (Partie III livret orange)
----------------	---

## **Environment**

### Température

Température d'opération	5°C à 45°C
Température à l'arrêt	-20°C à 60°C

### Humidité

Humidité d'opération	8% ~ 80%RH
Humidité à l'arrêt	5% ~ 95%RH

## DEPANNAGE

Pour vous aider à vous familiariser avec ce graveur externe de CDs réinscriptibles USB 2.0 CD-RW 5232UI, la FAQ ci-dessous énumère certains des problèmes que vous pourrez rencontrer. Veuillez vous y reporter avant de retourner le graveur à votre revendeur.

### **Q1. Le 5232UI n'est pas reconnu.**

- (1) Le lecteur n'est peut-être pas branché correctement. Assurez-vous que les cordons USB et d'alimentation sont fermement enfoncés. Si c'est le cas, renouvelez le branchement à chaud.
- (2) Vérifiez si le pilote de la carte hôte PCI du PC est correctement installé.
- (3) Si votre PC est équipé d'un port USB 2.0 intégré, installez le pilote, vérifiez le paramétrage de votre BIOS, ou consultez le fabricant de votre carte mère.

### **Q2. Le 5232UI ne s'allume pas.**

Assurez-vous que le cordon d'alimentation est fermement enfoncé.

### **Q3: Le lecteur de CD-R ne peut pas lire certains disques.**

Veuillez vérifier que les disques ne soient pas éraflés ou ne possèdent pas d'empreintes digitales ou autre sur leur surface. Nettoyez le disque si nécessaire.

### **Q4. Il y a un bruit lors de la lecture d'un CD.**

Du bruit peut être causé par un disque décentré ou une étiquette collée sur la face de disque.

### **Q5: Le lecteur CD-Réinscriptible ne peut pas lire la session précédente d'un CD-R qui a été gravé deux fois ou plus.**

Avant de graver un CD-R avec des informations, rappelez-vous de choisir « Importer Session » afin de pouvoir lire les sessions précédentes.

### **Q6: Les haut-parleurs externes n'ont pas de son en activant un CD audio.**

- (1) Veuillez vérifier que le câble audio soit bien connecté sur le connecteur audio.
- (2) Veuillez vérifier les deux côtés arrières du lecteur CD-RW et de la carte son sur la C/M ( si la puce audio se trouve sur la carte ). S'ils sont bien connectés ensemble, vérifiez que la carte son fonctionne normalement.

**Q7: Le plateau ne s'éjecte pas.**

Il y a deux raisons possibles.

- (1) L'éjection doit se faire par application.  
Certaines applications de gravure ou de lecture bloqueront le lecteur. Vous devez alors éjecter le plateau par application et ensuite le refermer pour pouvoir utiliser de nouveau les boutons.
- (2) Le CD est mal inséré.  
Veuillez insérer une tige en papier ou en métal dans le trou d'urgence sur le panneau avant pour une éjection manuelle.

**Q8: 5232UI ne peut pas écrire.**

Voici nos conseils:

- (1) Utilisez le logiciel de gravure offert par le fournisseur d'origine avec le Lecteur de CD-R ou vous pouvez télécharger le fichier le plus récent depuis Internet.
- (2) Plus de place sur le disque dur est requis si vous utilisez celui-ci comme buffer temporaire.
- (3) Placez le disque correctement.
- (4) Un disque vierge exige un formatage entier si vous utilisez un logiciel de gravure par paquet.

**Q9: « Buffer underrun » apparaît toujours en gravant des disques.**

Voici nos conseils:

- (1) Fermez l'écran de veille et le TSR ( Terminate and Stay Resident ).
- (2) Quittez les autres applications inutiles lors de la gravure.
- (3) Sélectionnez des disques vierges de haute qualité et à grande vitesse.
- (4) Augmentez la capacité de la mémoire.

- (5) Sélectionnez un autre logiciel de gravure.
- (6) Défragmentez le disque dur.
- (7) Maintenez le disque de source et de destination propre ( sans égratignure, empreinte digitale ou autre ).
- (8) Copiez des données comme fichier d'image sur le disque dur pour éviter la perte de mémoire.
- (9) Conservez le système propre. N'installez aucun driver ou application inutile risquant de réduire le chargement du système en tant que conflit.
- (10) Activez le mode de *Buffer Underrun* prévention si votre logiciel le supporte.

**Q10. Ce graveur externe de CDs réinscriptibles supporte-t-il la gravure en surcapacité (over-burning) ?**

Oui, avec un logiciel de gravure qui supporte cette fonction.

**Q11: Quel logiciel de gravure supporte 5232UI?**

Des logiciels comme Adaptec EasyCD Creator, Ahead Nero-Burning ROM, NTI CD-Maker, etc...

**Q12: Est-ce que 5232UI supporte-t-il la fonction CD-Texte & SAO ( Session En Une Fois ) ?**

Oui, il supporte la fonction CD-Texte & SAO et vous pouvez éditer le titre ou le contenu dans votre CD musical.





***CD-RW DX-ECDRW100***  
**Unidad Externa USB 2.0**

**Manual del Usuario**

**CLASS 1 LASER PRODUCT  
APPAREIL A LASER DE CLASSE 1  
LASER KLASSE 1  
LUOKAN 1 LASERLAITE  
PRODUIT LASER  
CATEGORIE 1**

**DANGER** INVISIBLE LASER RADIATION WHEN OPEN AVOID DIRECT EXPOSURE TO BEAM  
**VORSICHT** INSICHTBARE LASERSTRAHLUNG WENN ABDECKUNG GEÖFFNET NICHT DEM STRAHL AUSSETZEN  
**ATTENTION** RADIATION DU FAISCEAU LASER INVISIBLE EN CAS D'OUVERTURE. EVITER TOUTE EXPOSITION  
AUX RAYONS.  
**PELIGRO** RADIACIÓN INVISIBLE DE LÁSER EN CASO DE ABERTURA. EVITE LA EXPOSICIÓN DIRECTA AL  
RAYO.

### **Declaración del Copyright**

Bajo las leyes de Copyright aplicables, es un delito realizar copias no autorizadas de materiales protegidos bajo Copyright, incluyendo programas informáticos, películas, difusiones y grabaciones de música. Este equipo no se debe utilizar para tales fines.

## **Declaración de Conformidad FCC**

Este dispositivo cumple los requisitos estipulados en la Parte 15 de las Reglamentaciones FCC. La operación del mismo está sujeta a las dos siguientes condiciones:

1. este dispositivo no debe causar una interferencia perjudicial, y
2. este dispositivo debe aceptar cualquier interferencia recibida, incluyendo interferencia

## **Declaración de Advertencia FCC**

Este equipo ha sido probado y se ha determinado que cumple con los límites de un dispositivo digital de Clase B, conforme a la Parte 15 de las Reglamentaciones de la FCC. Estos límites fueron concebidos para brindar una protección razonable contra las interferencias perjudiciales dentro de una instalación residencial. Este equipo genera, utiliza y puede emitir energía de radiofrecuencias y, si no se instala y se utiliza según las instrucciones, puede causar interferencias en comunicaciones por radio. Sin embargo, se puede determinar si existe una interferencia en la recepción de televisión apagando y encendiendo el equipo. El usuario debe tratar de corregir la situación tomando una o más de las medidas siguientes

- Re-oriente o re-ubique la antena de recepción
- Aumente la separación entre el equipo y el receptor
- Conecte el equipo a una toma distinta de aquella que se ha conectado el receptor
- Consulte el vendedor o un técnico experto de radio/televisión para obtener ayuda.

## **ATENCIÓN**

Los cambios o las modificaciones que no estén expresadamente aprobadas por la entidad responsable de la conformidad podría anular la autorización del usuario para operar el equipo.

## **PARA EUROPA**



“La unidad está conforme con la directiva EMC y la directiva de bajo voltaje”.

# Índice

<b>INTRODUCCIÓN</b>	<b>1</b>
ACERCA DEL USB	2
REQUERIMIENTOS DEL SISTEMA	2
<b>INSTALACIÓN</b>	<b>3</b>
INSTALACIÓN DEL HARDWARE	3
INSTALACIÓN DEL CONTROLADOR	4
Ambiente Windows	4
INSTALACIÓN DEL SOFTWARE	4
Ambiente Windows	5
<b>RESUMEN DE CONTROLES &amp; CONEXIONES</b>	<b>6</b>
TABLERO FRONTAL	6
VISTA POSTERIOR	7
<b>DATOS TÉCNICOS</b>	<b>8</b>
<b>RESOLUCIÓN DE PROBLEMAS</b>	<b>11</b>

## **INTRODUCCIÓN**

Gracias por su compra de la 5232UI, una unidad externa CD-Reescribible de alto desempeño con interfaz USB 2.0. Esta soporta una capacidad de escritura máxima con velocidad de 52x en discos CD-R, velocidad de 32x en discos CD-RW y desempeño de lectura con velocidad de 52x. La unidad realiza una copia de respaldo de todos los modos de escritura y los diferentes formatos en CD. Además, reconoce automáticamente el medio que se coloca en la unidad, ya sea un CD, un CD-R o un CD-RW. Con el paquete de software de grabación CD-RW, 5232UI es un modelo ideal para crear CD de audio y datos personalizados, y archivar o distribuir archivos grandes para el intercambio de datos y copias de respaldo.

Las siguientes son algunas de las características importantes de esta unidad externa CD-Reescribible:

- ◆ velocidad de escritura de 8X, 16X, 24X, 32X, 40X, 48X y 52X sobre medios CD-R
- ◆ velocidad de (re)escritura de 4X, 10X, 12X, 16X, 20X, 24X y 32X sobre medios CD-RW
- ◆ Tecnología de prevención de errores de grabación
- ◆ Compatibilidad con la función MultiRead
- ◆ Soporta el flujo de datos en modos TAO, DAO, SAO y escritura en paquetes
- ◆ Tampón de datos interno grande: 2MB
- ◆ Bajo consumo
- ◆ Interfaz USB 2.0, fácil de conectar al puerto USB 2.0 en la PC

## **Acerca del USB**

El USB (Universal Serial Bus), es un medio de conectar dispositivos a la computadora. Básicamente es una conexión en serie inteligente y estandarizada que suministra una interfaz expansible que se puede conectar en caliente \*<sup>1</sup> . Los dispositivos adecuados para el USB van desde elementos simples tales como ratones y teclados, hasta dispositivos más complicados tales como: impresoras, reproductores MP3 y dispositivos de almacenamiento. Otro beneficio del USB es el de conectar y usar. Esto significa que cuando conecta el dispositivo USB, este es detectado automáticamente, los controladores son instalados y queda listo para la operación.

El USB 2.0 soporta transferencia de datos de hasta 480Mbps para dispositivos de alta velocidad. Es compatible con software y periféricos USB1.1\*<sup>2</sup>. Si su computadora no tiene un puerto USB 2.0 incorporado, necesitará instalar una tarjeta anfitriona PCI USB 2.0 en la computadora para que la unidad CD-RW funcione a la velocidad USB 2.0. Si esto no se hace, esta unidad CD-RW funcionará a la velocidad USB estándar.

\*<sup>1</sup> Puede conectar y desconectar dispositivos mientras la computadora está funcionando.

\*<sup>2</sup> El USB 1.1 puede transferir datos a tasas de hasta 12Mb/s.

## **Requerimientos del Sistema**

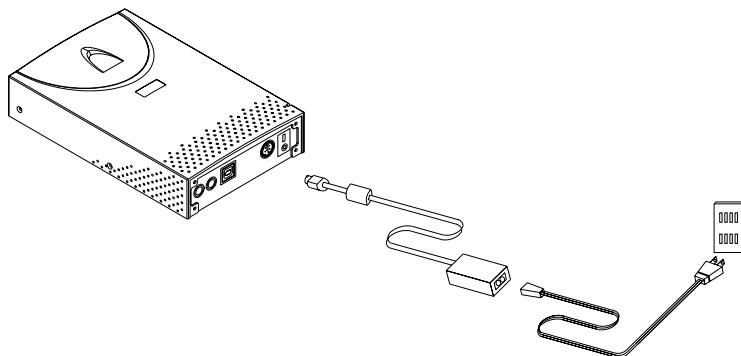
Para las PCs compatibles con IBM, los requerimientos del sistema recomendados son los siguientes:

- ◆ Pentium II 350MHz o superior, con mínimo 64MB de memoria
- ◆ Espacio suficiente en el disco duro (mínimo 200MB. Se recomienda 1GB o más.)
- ◆ Sistema operativo: Microsoft Windows 98SE/ME/2000/XP
- ◆ Tarjeta de interfaz PCI USB 2.0

## INSTALACIÓN

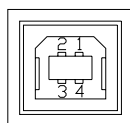
### Instalación del Hardware

4. Conecte el adaptador de energía y la cuerda de energía AC a la unidad.



5. Fije el cable USB 2.0 cable a la unidad CD-Reescribible.

Conector USB



6. Fije el otro extremo del cable USB 2.0 al puerto USB en su computadora. La unidad está ahora lista para ser usada.

☞ *Si está instalando una unidad USB 2.0, su computadora debe tener un puerto USB 2.0 para alcanzar la máxima velocidad. Puede tener un desempeño más lento de la unidad USB 2.0 si está conectada a un USB 1.1.*

4. Conecte el cable de audio a la unidad y a la computadora.

**Notas:**

- ◆ Asegúrese de utilizar el cable USB 2.0 empacado con la unidad.
- ◆ Nunca conecte ni desconecte cualquier otro dispositivo USB mientras la unidad CD-RW está transfiriendo datos. Es posible que se presente la pérdida de datos.
- ◆ Es aconsejable no desconectar la unidad CD-RW ni desconectar la energía de la unidad, cuando haya un CD insertado.
- ◆ No conecte más de dos unidades CD-RW con conexiones USB, a una sola computadora.

## **Instalación del Controlador**

### **Ambiente Windows**

El Unidad Externa USB 2.0 CD-RW 5232UI es un dispositivo PnP (Plug and Play), y Windows 98SE/ME/2000/XP puede **detectar** la unidad **automáticamente** sin necesidad de realizar una instalación de controlador. Para los usuarios que tengan Windows 98SE, por favor instale el controlador que se proporciona en el disco y después reinicie su computadora.

## **Instalación del Software**

El paquete de software de grabación le proporciona una solución completa para crear CD de audio o datos directamente desde su escritorio. Le permite copiar archivos desde su PC a un disco compacto grabable. Además, los CD de audio que cree se pueden reproducir en su equipo en casa o en el automóvil. Para el medio CD-RW, puede escribir y borrar datos en el CD, de la misma forma que para un disquete convencional.



## **Ambiente Windows**

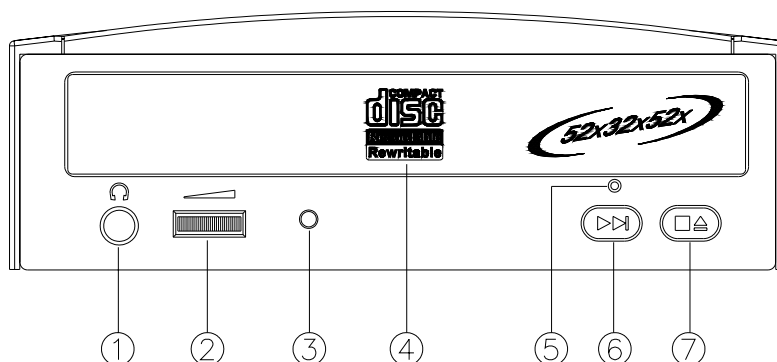
(1) Ejecute **install.exe** o **setup.exe**

o

(2) Refiérase al **manual** en el disco de software.

## RESUMEN DE CONTROLES & CONEXIONES

### Tablero Frontal



#### 1. Enchufe de Auriculares

Conectado el enchufe de auriculares aquí, se puede escuchar un CD de audio (discos CD-DA) que se está pasando directamente desde la unidad CD-Reescribible.

#### 2. Control de Volumen de Auriculares

Este botón ajusta el nivel de la salida audio. Gire el mismo hacia a la derecha para aumentar el volumen del audio de sus auriculares.

#### 3. Indicador LED (dos colores)

Se ilumina intermitentemente en "verde" durante la verificación o lectura de un disco.

Se ilumina intermitentemente en "ámbar" durante la escritura en un disco CD-R o CD-RW.

#### 4. Bandeja de Disco

Esta es la bandeja para el disco. Coloque el disco sobre la bandeja y luego pulse el botón Expulsar/Cerrar o empuje la bandeja suavemente para cerrarla.

### 5. Boca de Expulsión de Emergencia

Cuando el botón de Expulsar/Cerrar no funciona correctamente y la bandeja de disco no se abre, se puede insertar un clip u otro pequeño palillo dentro de ésta boca para realizar una expulsión manual. Por favor asegúrese que el sistema esté apagado antes de intentar esto.

### 6. Botón Reproducir/Saltar

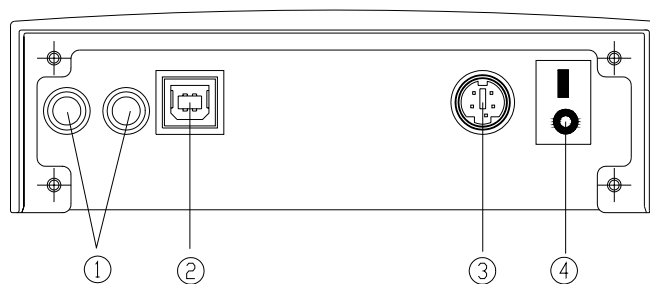
Pulse este botón para pasar un tema o saltar al próximo tema cuando se está reproduciendo un disco.

### 7. Cerrar/Expulsar

Este botón abre y cierra la bandeja. Si la bandeja está cerrada, cuando se pulsa este botón la misma será expulsada. Si la unidad está operando, presionando éste botón parará la operación.

*NOTA: El tablero frontal es sujeto a cambios sin aviso previo.*

## Vista Posterior



1. Conector Análogo de Salida de Audio (Jack RCA)
2. Conector USB
3. Conector de Energía C.D.
4. Interruptor de Energía (On/Off)

## DATOS TÉCNICOS

### Desempeño

Ratio de Transferencia	<b>lectura:</b> CD-ROM/CD-R 7800kb/s (hasta 52X) CD-RW 4800kb/s (hasta 32X) <b>escritura:</b> CD-R 7800kb/s (hasta 52X) CD-RW 4800kb/s (hasta 32X)
Tiempo de acceso	90ms- $\frac{1}{3}$ pulsación(52X CD-ROM) 180ms-pulsación completa (52X CD-ROM) 99ms - $\frac{1}{3}$ pulsación(32X CD-RW) 200ms-pulsación completa (32X CD-RW)
Tampón de datos	2MB
Soporte de Formato CD	CD-Audio, CD-EXTRA, CD-ROM, CD-ROM XA, CD-I, Video CD, Photo CD, CD-Text
Modos de escritura	TAO (Track at once), DAO (Disc at once), SAO (Sesión at once), Sesión Múltiple, Escritura Incremental de Paquete (tamaño de paquete fijo y variable)
Velocidades de escritura	CD-R: 8X/16X/24X/32X/40X/48X/52X CD-RW: 4X/10X/12X/16X/20X/24X/32X

## Especificaciones

Interfaz	USB 2.0
Carga de disco	Bandeja (motorizada)
Requerimiento de Energía	entrada: AC 100~240V, 50/60Hz salida: 5V 1.5A, 12V 1.5A
Voltaje de salida RMS	0.6 ± 10%Vrms

## Dimensiones

Altura	44.9~47.6 ± 0.3 mm
Ancho	152.5 ± 0.3 mm
Profundidad	234.5 ± 0.3 mm
Peso	2 kg

## Especificaciones de Disco

### Capacidad

Disco de 120 mm:	63-min	553 Mbytes	Modo-1
	74-min	650MBytes	Modo -1
	80-min	700MBytes	Modo -1
Disco de 80 mm:	18-min	158Mbytes	Modo -1
	21-min	184Mbytes	Modo -1

Tipo de disco	Media de CD Grabable (Libro Naranja Versión II), Media de CD Reescribible (Libro Naranja Versión III)
---------------	---

## **Ambiente**

### **Temperatura**

Temperatura de funcionamiento 5°C a 45°C  
Temperatura fuera de -20°C a 60°C

### **Humedad**

Humedad de funcionamiento 8% ~ 80%HR  
Humedad fuera de 5% ~ 95%HR  
funcionamiento

## **RESOLUCIÓN DE PROBLEMAS**

Para ayudarle a familiarizarse con esta unidad externa USB 2.0, la CD-RW 5232UI, a continuación se describen algunos de los problemas más comunes que puede encontrar. Por favor léalos como referencia antes de solicitar apoyo por parte del distribuidor.

### **P1. La 5232UI no puede ser reconocida.**

- (1) La unidad no puede ser conectada apropiadamente. Por favor revise si el cable USB y el conector de energía están conectados firmemente. Si lo están, entonces haga la conexión en caliente de nuevo.
- (2) Revise si se instaló el controlador de la tarjeta anfitriona PCI conectada a la computadora.
- (3) Si su computadora tiene un puerto USB 2.0 incorporado, instale el controlador, revise el ajuste BIOS o consulte con el fabricante de la tarjeta madre.

### **P2. La 5232UI no tiene energía.**

Por favor revise si el cable de energía está conectado de manera segura.

### **P3. No se pueden leer algunos discos generales.**

Compruebe si el disco tiene una ralladura profunda, huellas digitales u otro contaminante en su superficie. Limpie el disco si fuese necesario.

### **P4. Hay ruido durante la lectura.**

Si el disco usado es excéntrico o hay rótulos pegados en la superficie del disco, esto causará ruidos.

### **P5. No puedo leer la o las sesiones anteriores del disco de CD-R al que se haya escrito dos o más veces.**

Antes de escribir discos de CD-R con copias de datos, recuerde elegir la opción "Importar sesión" para poder leer las sesiones anteriores.

**P6. El altavoz no emite ningún sonido al reproducir un CD de música.**

- (1) Compruebe que el cable de audio esté conectado correctamente al conector de audio.
- (2) Compruebe la parte posterior de la unidad de CD-RW y la tarjeta de sonido de la placa madre (si el conjunto de chips se encuentra en la placa). Si están bien conectadas, compruebe el funcionamiento de la tarjeta de sonido.

**P7. La bandeja no se expulsa.**

Existen dos posibles razones:

- (1) Debe ser expulsada por la aplicación.  
Algunas aplicaciones de copiado o reproducción bloquean la unidad. Debe expulsar mediante la aplicación o cerrar la aplicación para restaurar el uso de los botones del panel.
- (2) El CD no se insertó correctamente.  
Inserte un clip o una barra pequeña en el agujero de emergencia del panel frontal para realizar una expulsión manual.

**P8. Mi unidad de CD-RW no escribe.**

Sugerimos lo siguiente:

- (1) Utilice el software de copiado que suministra el proveedor original y que se incluye con esta unidad de CD-RW o descargue el archivo de actualización de Internet.
- (2) Se requiere una mayor capacidad en el disco duro si se está utilizando como memoria para almacenamiento temporario.
- (3) Coloque el disco correctamente.
- (4) Si se está utilizando software de escritura de paquetes, el disco en blanco debe ser formateado primero.



**P9. Siempre se produce un "error de memoria para almacenamiento temporario" durante la escritura de los discos.**

A continuación se incluyen algunas sugerencias:

- (1) Cierre el protector de pantalla y el TSR (programa residente).
- (2) Cierre cualquier aplicación redundante durante el copiado.
- (3) Seleccione discos en blanco de buena calidad y compatibles con altas velocidades.
- (4) Aumente la capacidad de la memoria principal.
- (5) Seleccione otro software de copiado.
- (6) Degfragmente el disco duro.
- (7) Mantenga limpios los discos de origen y de destino (sin ralladuras, huellas digitales u otro contaminante).
- (8) Copie los datos como un archivo de imagen al disco duro para evitar errores en la memoria de almacenamiento temporario.
- (9) Mantenga limpio el sistema. Para reducir la carga del sistema y conflictos, instale controladores o aplicaciones redundantes.
- (10) Active el modo de protección de errores de grabación si el software lo permite.

**P10. Esta unidad CD-RW externa soporta el sobre-quemado?**

Sí, pero por favor use el software de quemado que soporta esta función.

**P11. ¿Qué software de copiado es compatible con esta unidad de CD-RW?**

Software como Adaptec EasyCD Creator, Ahead Nero-Burning ROM, NTI CDMaker...etc.

**P12. ¿Mi unidad de CD-RW es compatible con la función CD-Text y SAO (sesión inmediata)?**

Sí, es compatible con la función CD-Text y SAO y puede modificar el título o contenido en el CD de música.

3100551892  
Version 1.0  
Jan. 2004